



High Density Polyethylene Float and Dock (HDPE)

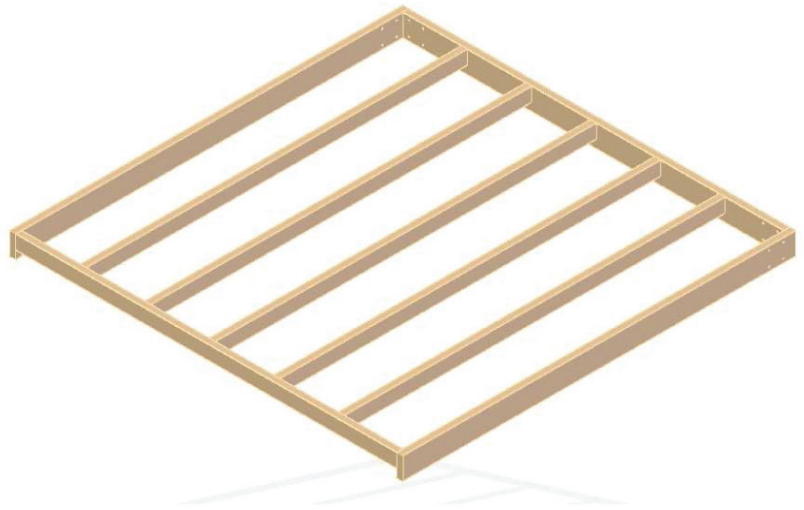
Assembling of a 8' X 24' Residential Floating Dock (2 - 8' X 12' end to end sections)

Step #1

1-A Assemble two (2) 8' X 12' wood structures.

1-B Use one (1) 2" X 4" piece and three (3) 2" X 6" pieces and build the exterior frame.

1-C Use five (5) 2" X 4" pieces and insert them 16" on centre inside the structure.



QUAIBEC

Head Office: Rouyn-Noranda
101 Ave. Marcel-Baril, Rouyn-Noranda (Québec) J9X 5P5
Telephone: (819) 764-3211 | Fax: (819) 764-9785
info@quaibec.com

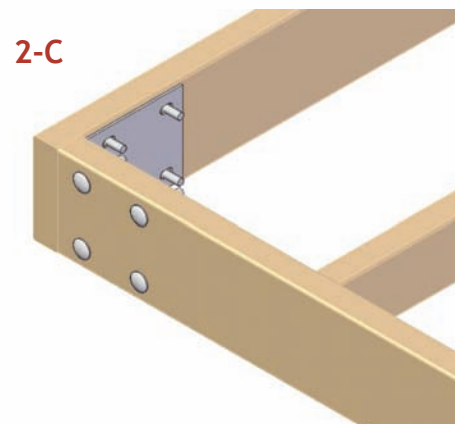
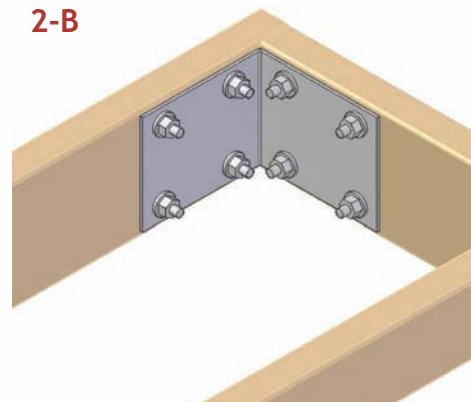
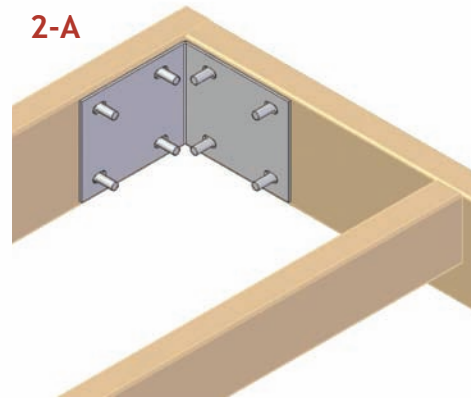
High Density Polyethylene Float and Dock (HDPE)

Step #2

2-A Place the 6" X 5" X 1/8" galvanized reinforcing steel plates on inside corner of the structure.

2-B Insert the 3/8" X 2 1/2" galvanized carriage bolt inside the reinforcement corners.

2-C Add a 3/8" washer and a 3/8" nut to the carriage bolts and tighten them.



QUAIBEC

Head Office: Rouyn-Noranda
101 Ave. Marcel-Baril, Rouyn-Noranda (Québec) J9X 5P5
Telephone: (819) 764-3211 | Fax: (819) 764-9785
info@quaibec.com

High Density Polyethylene Float and Dock (HDPE)

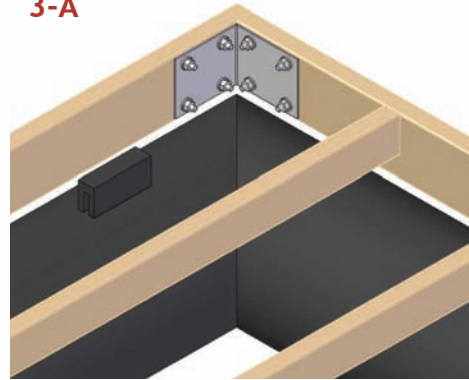
Étape 3

3-A Install the wood structures on the float.

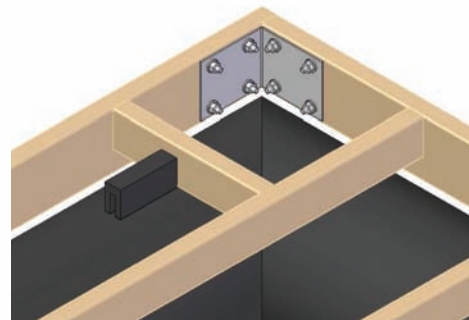
3-B Lean the interior of the structure on the small mounting blocks.

3-C Use the 2" X 4" pieces and place them perpendicularly inside the 12 mounting blocks.

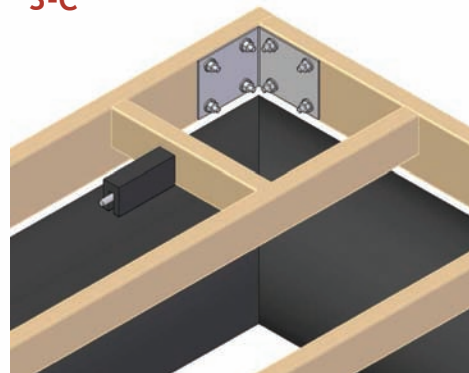
3-A



3-B



3-C



QUAIBEC

Head Office: Rouyn-Noranda
101 Ave. Marcel-Baril, Rouyn-Noranda (Québec) J9X 5P5
Telephone: (819) 764-3211 | Fax: (819) 764-9785
info@quaibec.com

High Density Polyethylene Float and Dock (HDPE)

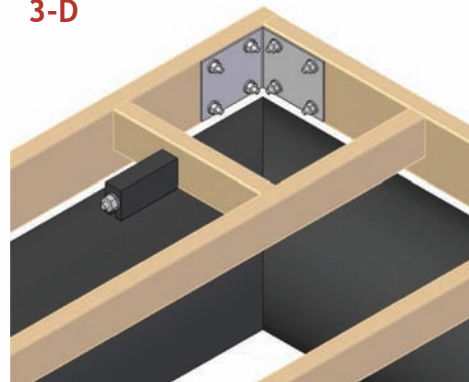
Step #3

3-D Fasten the pieces inside the mounting blocks using the 8" X ½" carriage bolts.

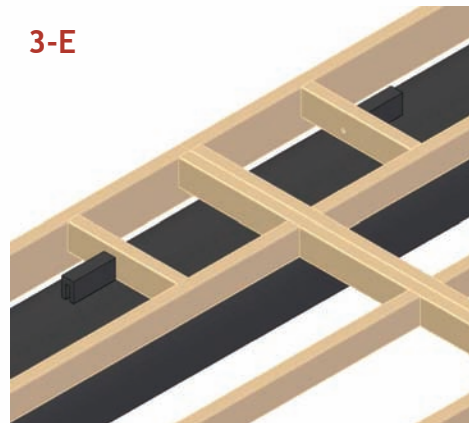
3-E Add a ½" nuts and a ½" washer to the carriage bolts and tightens them.

Repeat this step to correctly fix the structure to the 12 mounting blocks of the float.

3-D



3-E



3-E



3-E



QUAIBEC

Head Office: Rouyn-Noranda
101 Ave. Marcel-Baril, Rouyn-Noranda (Québec) J9X 5P5
Telephone: (819) 764-3211 | Fax: (819) 764-9785
info@quaibec.com

High Density Polyethylene Float and Dock (HDPE)

Final result
before the installation
of the wood bridging.



QUAIBEC

Head Office: Rouyn-Noranda
101 Ave. Marcel-Baril, Rouyn-Noranda (Québec) J9X 5P5
Telephone: (819) 764-3211 | Fax: (819) 764-9785
info@quaibec.com